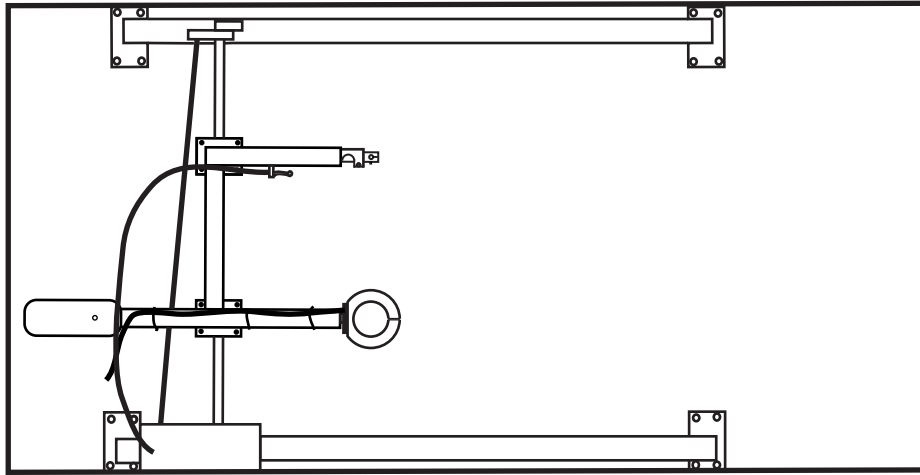
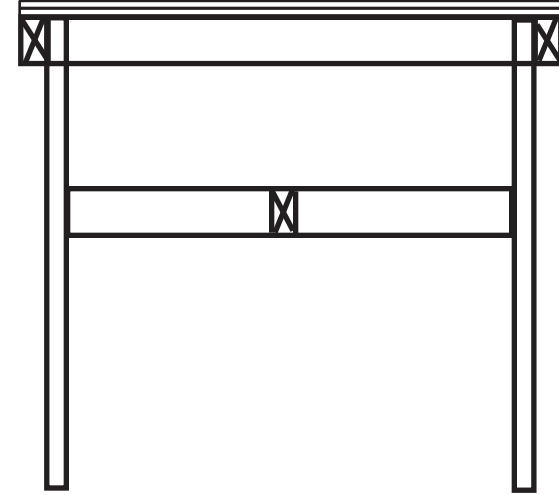
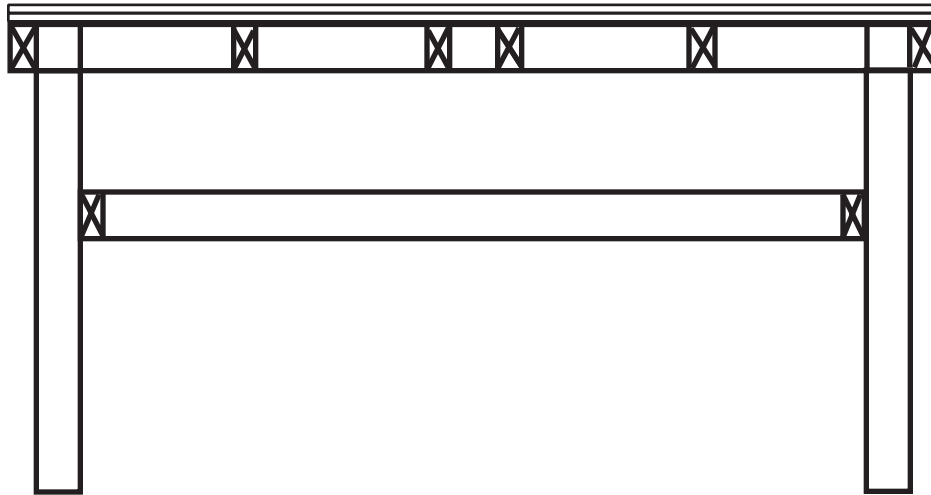


RECOMMENDED TABLE CONSTRUCTION



The frame for the table can be constructed from kiln dried 2 x 4's. We recommend using wood glue and wood screws to assemble the table. For the table top use $\frac{3}{4}$ " - 5 ply birch plywood over $\frac{3}{4}$ " particle board, the dimensions can be obtained from the table. The height of the table should be adjusted to the height that best fits you.



APPROXIMATE TABLE TOP SIZE

Gemini Carving Duplicator

Model	Table top size	Tube	Total Rail	Carving Area
9" Model	30"wide x 48-56" long	43"	48"	9" x 27.5" x 4 $\frac{3}{4}$ "
13" Model	38"wide x 48-56" long	43"	48"	13" x 27.5" x 4 $\frac{3}{4}$ "
18" Model	48"wide x 72" long	58.5"	63.5"	18" x 43" x 4 $\frac{3}{4}$ "